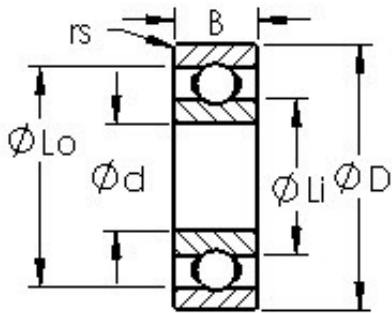




CT?BEARING-SINGAPORE LTD.



AST SR09 deep groove ball bearings

Bearing No. SR09

Bore Diameter	1,016 mm
Outer Diameter	3,175 mm
Width	1,19126 mm
Bearing Type	Open
Bore Dia (d)	0.0400
Outer Dia (D)	0.1250
Width (B)	0.0469
Radius (min) (rs)	0.004
Dynamic Load Rating (Cr)	20
Static Load Rating (Cor)	5
Max Speed (Grease) (X1000 RPM)	130
Max Speed (Oil) (X1000 RPM)	150
Max. Shaft Shoulder Dia. Inner (Li)	0.1
Min. Housing Shoulder Dia., Outer (Lo)	0.1
Ball Qty	6
Ball Dia (Dw)	0.0250
Weight (g)	0.05
Precision	A1
Standard Clearance	K25
Material	Martensitic Stainless Steel

SR09 Bearing 2D drawings and 3D CAD models