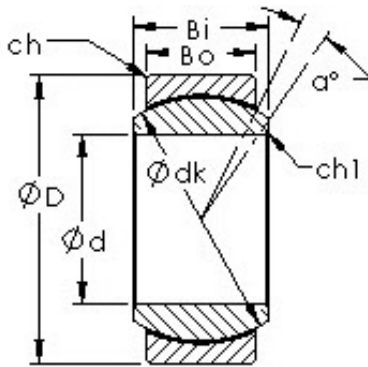




CT?BEARING-SINGAPORE LTD.



AST GEG50N plain bearings

Bearing No. GEG50N

Bore Diameter	50 mm
Outer Diameter	90 mm
Bearing Type - high mis-alignment	high misalignment
Bore Dia (d)	50.0000
Outer Dia (D)	90.0000
Outer Width (Bo)	36.0000
Inner Width (Bi)	56.0000
Dynamic Load Rating (Cr)	172,000
Static Load Rating (Cor)	259,000
Max. shaft corner radius, or 45 deg. chamfer (ch1)	0.600
Max. housing corner radius, or 45 deg. chamfer (ch)	1.000
Spherical Diameter (dk or Dk)	80.000
Mis-alignment Angle (a deg.)	17
Weight (g)	1,140.00
Material - Outer ring - 52100 chrome steel or equivalent with PTFE plastic liner, Inner ring	52100 chrome steel or equivalent with hard chrome plating

GEG50N Bearing 2D drawings and 3D CAD models