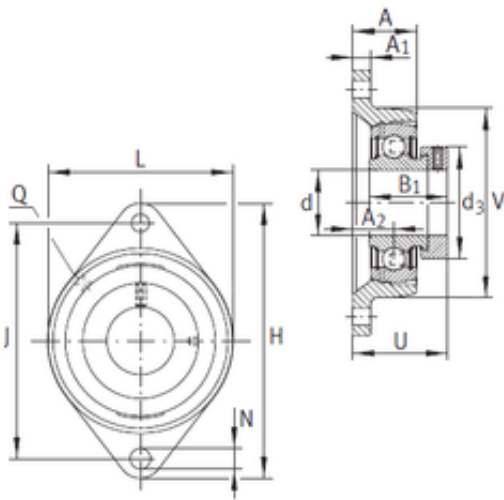




CT?BEARING-SINGAPORE LTD.

INA PCFT30 bearing units



PCFT30 Bearing 2D drawings and 3D CAD models

Bearing No. PCFT30

Bore Diameter	30 mm
d	30 mm
V	80 mm
U	40 mm
Thread (Q)	Rp1/8
d3	44 mm
A	22,3 mm
A1	12 mm
B1	35,8 mm
H	142 mm
J	116,5 mm
L	80 mm
N	11,5 mm
A2	13,3 mm
Weight	0,77 Kg
Basic dynamic load rating (C)	19,5 kN
Category	Flange Block Bearings
Inventory	0.0
Manufacturer Name	SCHAEFFLER GROUP
Minimum Buy Quantity	N/A
Weight / Kilogram	0.77
Product Group	M06110
Number of Mounting Holes	2
Mounting Method	Eccentric Collar
Housing Style	2 Bolt Flange Block
Rolling Element	Ball Bearing



CT?BEARING-SINGAPORE LTD.

Housing Material	Cast Iron
Expansion / Non-expansion	Non-expansion
Mounting Bolts	11.5 Millimeter
Relubricatable	Yes
Insert Part Number	GRAE30NPPB
Seals	Double Lip Contact
Housing Configuration	1 Piece Solid
Pilot Configuration	No Pilot
Inch - Metric	Metric
Long Description	2 Bolt Flange Block; 30MM Bore; 117MM Bolt Circle; 116.5MM Bolt Spacing; 1 Piece Solid; Eccentric Collar Mount; Cast Iron; Ball Bearing; 35.8MM Length Thru Bore; Relubricatable; Double Lip Contact Sea
Other Features	Single Row With Set Screw
Category	Flange Block
UNSPSC	31171501
Harmonized Tariff Code	8483.20.40.40
Noun	Bearing
Keyword String	Flanged
Manufacturer URL	http://www.ina.com
Manufacturer Item Number	PCFT30
Weight / LBS	1.698
Bore	1.181 Inch 30 Millimeter
Cartridge Pilot Depth	0 Inch 0 Millimeter
Length Thru Bore	1.409 Inch 35.8 Millimeter
Nominal Bolt Circle Diameter Round	4.6 Inch 117 Millimeter
Bolt Spacing	4.587 Inch 116.5 Millimeter
Cartridge Pilot Diameter	0 Inch 0 Millimeter