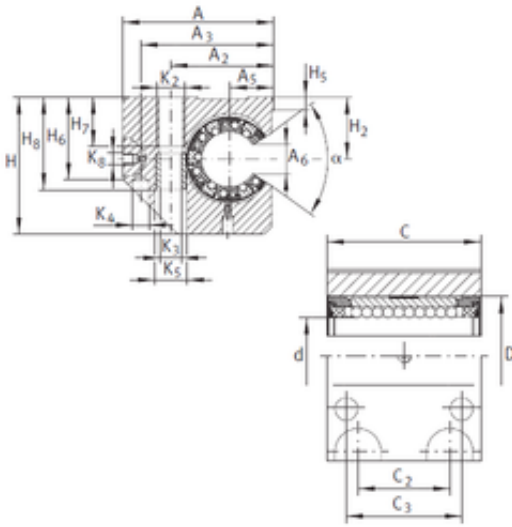




CT?BEARING-SINGAPORE LTD.

INA KGNC 20 C-PP-AS linear bearings

Bearing No. KGNC 20 C-PP-AS



KGNC 20 C-PP-AS Bearing 2D drawings and 3D CAD models

Bore Diameter	20 mm
Outer Diameter	32 mm
d	20 mm
D	32 mm
A6	9 mm
H5	8 mm
H6	37,5 mm
H7	18 mm
H8	42 mm
K3	8,4 mm
K4	6 mm
K5	15 mm
Thread (K2)	M10
Thread (K8)	M6
A5	17 mm
C3	36 mm
Angle (?)	55 °
A	60 mm
C	47 mm
H	60 mm
H2	30 mm
A2	39 mm
A3	51 mm
C2	30 mm
Weight	0,35 Kg
Basic dynamic load rating (C)	1,74 kN



CT?BEARING-SINGAPORE LTD.